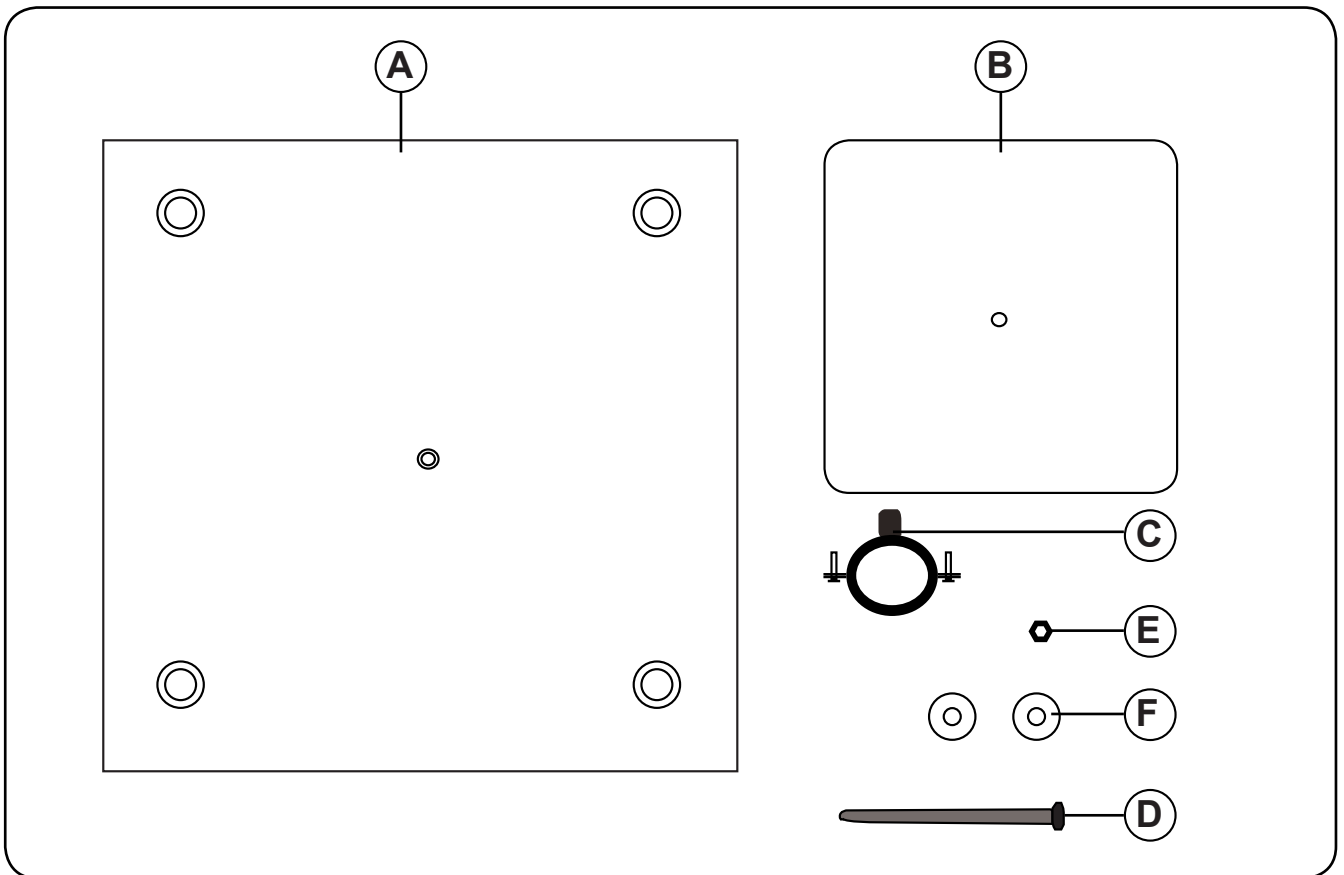


Float Assembly Instructions



Parts:

A. Grey Float block

B. Stainless Steel Surface Plate

C. Transducer Mounting Clip

D. Connecting Bolt

E. Clamping Nut

F. Washers x 2

